

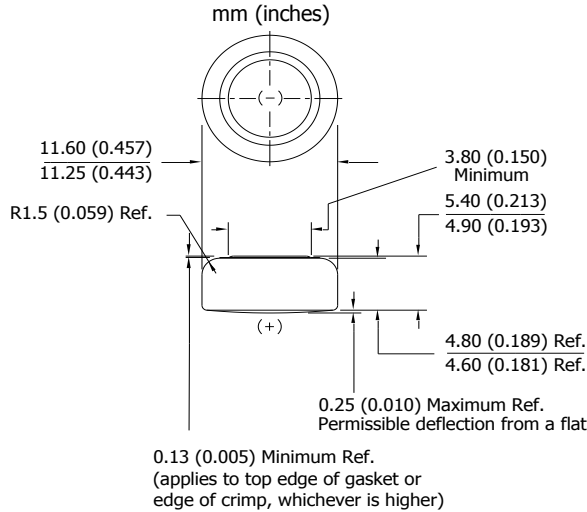
**ENERGIZER A76**

**ZERO**MERCURY

**MINIATURE ALKALINE**



**Industry Standard Dimensions**



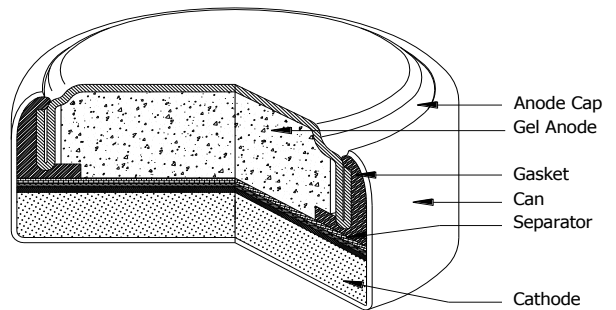
DESIGNED FOR ELECTRONIC APPLICATIONS WHICH MAY REQUIRE HIGH RATE PULSES

**Specifications**

- Chemical System:** Manganese Dioxide (MnO<sub>2</sub>)
- Designation:** ANSI/NEDA 1166A, IEC-LR44
- Nominal Voltage:** 1.5 Volts
- Typical Capacity:** 153 mAh\* (to 0.9 volts)
- Capacity Test:** 6.8K ohm continuous drain at 21°C (70°F)
- Typical Weight:** 1.85 grams (0.07 oz.)
- Typical Volume:** 0.57 cubic centimeters (0.035 cubic inch)
- Impedance (40 Hz):** 1 to 5 ohms
- Max Bulge:** This battery will bulge as it is discharged, but will not exceed the maximum height shown on the battery drawing.

\* Varies according to the applied load, temperature, and cutoff voltage.

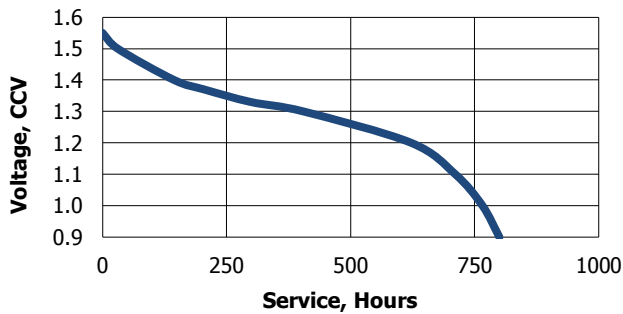
**Cross Section**



**Typical Discharge Characteristics**

Typical Performance at 21°C (70°F)

**Load:** 6.8K ohms - Continuous  
**Typical Drain @ 1.30V:** 0.191 mA  
**Hours to 0.9V:** 800



**Depth of Discharge**

Typical Performance at 21°C (70°F)

**Load:** 6.8K ohms - Continuous  
**Typical Drain @ 1.30V:** 0.191 mA  
**Hours to 0.9V:** 800

(as percent of capacity)

| Temperature | 0%    | 40%   | 80%   |
|-------------|-------|-------|-------|
| 21°C (70°F) | 1.55V | 1.33V | 1.20V |

**Important Notice**

This datasheet contains typical information specific to products manufactured at the time of its publication.  
©Energizer Holdings, Inc. - Contents herein do not constitute a warranty.